

VENTS VKO Series



Axial inline fans, for exhaust or supply ventilation with the capacity up to 358 m³/h

Applications

- Continuous or periodic exhaust ventilation of bathroom, showers, kitchens and other utility spaces.
- Exhaust or supply ventilation depending on the fan mounting type in the system.
- Designed for PVC ducting systems or flexible ducts.
- Low to medium air flow motion for short distances at low air resistance.
- Compatible with Ø 100, 125 and 150 mm air ducts.

Design

- The casing and the impeller are made of high-quality durable ABS plastic, UV resistant.
- The intellectual impeller design makes the fan efficiency high and the service life long.
- Protection rating IP X4.

Motor

- Reliable and low-watt electric motor.
- Designed for continuous operation and requires no maintenance.
- Equipped with overheating protection.

Modifications and Options

VKOk – fan with a fixing bracket for flat surface mounting.



VKO L – the motor is equipped with ball bearings for long service life (appr. 40 thousand hours) and fan mounting at any angle. The bearings are maintenance-free and contain enough grease for the entire operating period.



VKO turbo – high-powered motor.



VKO press – 5-blade low-noise impeller with improved aerodynamics for higher fan capacity.



VKO 12 – modification with low-voltage motor. 12 V AC power supply.

Control

Manual:

- The fan is controlled by a room light switch. It is not included in the delivery package.
- Speed control is possible through a thyristor speed controller (see Electrical Accessories). Several fans may be connected to the same controller. Speed controllers can not be connected to the fans with T, TH, TP, VT, VTH modification.

Automatic:

- By the electronic control unit **BU-1-60** (see Electrical Accessories). The control unit is supplied separately.

Mounting features

- The fan is mounted into a matching duct size. Fastening with clamps in case of flexible duct connection.
- This series fans have different intake and exhaust flange diameters to enable attachment of the decorative grille **MV** to the appropriate intake flange diameter in case of direct installation into the ventilation shaft or instead of the existing ventilation grille.
- The fan can be mounted on a horizontal or vertical flat surface by a fixing bracket (**VKOk** model).
- Two fans can be installed in series for higher performance.
- For 12 V low-voltage motor fan connection to 220 V / 50 Hz power mains use the step-down transformer TRF 220/12-25 that is available upon separate order.

Mounting examples



VKO fan flat ventilation example

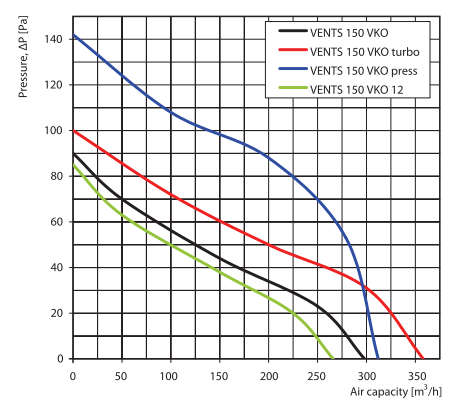
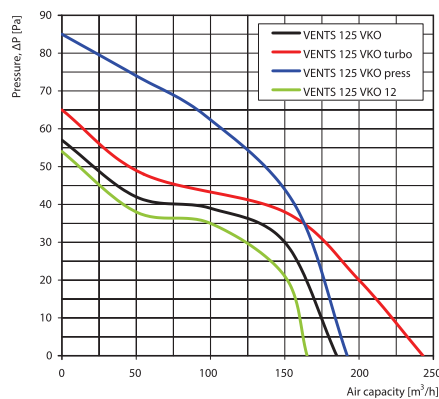
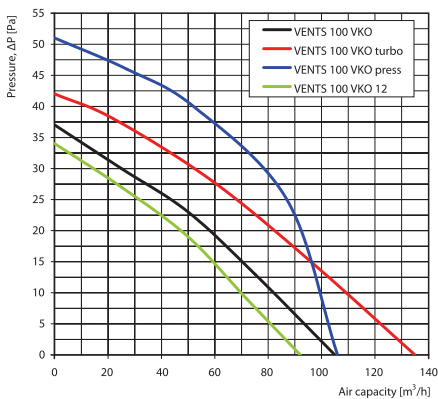


VKOk fan cottage ventilation example

Accessories



Aerodynamic characteristics

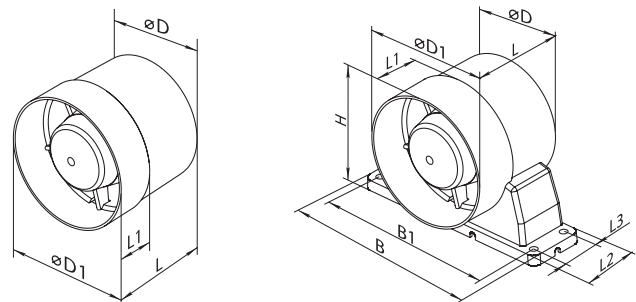


Technical data

Model	Frequency [Hz]	Voltage [V]	Power Consumption [W]	Current [A]	R.p.m.	Maximum air capacity [m³/h]	Sound Pressure Level at 3 m [dB(A)]	Weight [kg]
VENTS 100 VKO	50/60	220-240	14	0,085	2300	105	37	0,41
VENTS 100 VKO turbo	50/60	220-240	16	0,1	2300	135	38	0,41
VENTS 100 VKO press	50/60	220-240	16	0,1	2300	106	39	0,41
VENTS 100 VKO 12	50/60	12	14	1,5	2200	92	36	0,40
VENTS 125 VKO	50/60	220-240	16	0,1	2400	185	38	0,48
VENTS 125 VKO turbo	50/60	220-240	24	0,105	2400	243	39	0,48
VENTS 125 VKO press	50/60	220-240	24	0,105	2400	192	39	0,48
VENTS 125 VKO 12	50/60	12	16	1,33	2300	165	37	0,46
VENTS 150 VKO	50	220-240	24	0,13	2400	298	40	0,80
VENTS 150 VKO (220-240B/60Hz)	60							
VENTS 150 VKO turbo	50	220-240	29	0,13	2400	358	44	0,80
VENTS 150 VKO turbo (220-240B/60 Hz)	60							
VENTS 150 VKO press	50	220-240	29	0,13	2400	312	44	0,80
VENTS 150 VKO press (220-240B/60 Hz)	60							
VENTS 150 VKO 12	50	12	29	2	2300	266	39	0,76
VENTS 150 VKO 12 (12 B/60 Hz)	60							

Overall dimensions

Model	Dimensions [mm]								
	Ø D	Ø D1	B	B1	H	L	L1	L2	L3
VENTS 100 VKO	100	104	—	—	—	91	31	—	—
VENTS 100 VKOk	100	104	160	144	114	91	31	45	29
VENTS 125 VKO	125	129	—	—	—	93	31	—	—
VENTS 125 VKOk	125	129	185	169	139	93	31	45	29
VENTS 150 VKO	150	154	—	—	—	108	46	—	—
VENTS 150 VKOk	150	154	200	184	163	108	46	45	29



Certificates



The fans meet the applicable safety and electromagnetic compatibility standards.